

## LAMPIRAN

### Lampiran 1. Surat Izin Penelitian



**UMKT**  
Program Studi  
Teknik Informatika  
Fakultas Sains dan Teknologi

Telp. 0541-748511 Fax. 0541-766832

Website <http://informatika.umkt.ac.id>

email: [informatika@umkt.ac.id](mailto:informatika@umkt.ac.id)



بِسْمِ اللَّهِ الرَّحْمَنِ الرَّحِيمِ

Nomor : 023-001/FST.1/A.7/C/2024

Lampiran : -

Perihal : Permohonan Surat Pengantar Pengambilan Data

Kepada Yth.

Ketua Lembaga Penelitian dan Pengabdian kepada Masyarakat  
di -

Tempat

*Assalamu'alaikum Warrahmatullahi Wabarrakatuh*

Puji Syukur kepada Allah Subhanahu wa ta'ala yang senantiasa melimpahkan Rahmat-Nya kepada kita sekalian. Aamiin.

Sehubungan dengan adanya permohonan pengambilan data untuk memenuhi Tugas Akhir/Skripsi Tahun Akademik 2023/2024, maka dengan ini kami memohon untuk dibuatkan surat pengantar pengambilan data ke Bagian Administrasi Akademik (BAA). Adapun data yang diminta yaitu data nilai mata kuliah, data nilai IPK dan IPS, dan data jumlah SKS untuk mahasiswa Program Studi Teknik Informatika dengan rentang waktu lulus tahun 2017-2019, dengan nama mahasiswa:

No	Nama	NIM
1	Raihan Nabil	2011102441080
2	Aulia Khoffifah Syamsuri	2011102441063
3	Any Sawheri Gading	2011102441219
4	Khusnul Khotimah	2011102441048
5	Ririn Wahyuni	2011102441049

Demikian surat permohonan ini dibuat. Atas perhatiannya kami mengucapkan terima kasih.

*Wassalamu'alaikum Warrahmatullahi Wabarrakatuh*

Samarinda, 24 Rajab 1445 H

5 Februari 2024 M



Ketua Program Studi S1 Teknik Informatika











Abansyah, S.Kom., M.TI

NIDN. 1118019203

## Lampiran 2. Kartu Kendali Bimbingan

### KARTU KENDALI BIMBINGAN LAPORAN KARYA ILMIAH

Nama : Aulia Khofifah Syamsuri  
NIM : 2011102441063  
Nama Dosen Pembimbing : Rofilde Hasudungan, S.Kom., M.Sc.  
Judul Penelitian : PENERAPAN ALGORITMA K-NN (*K-NEAREST NEIGHBOR*) UNTUK MODEL PREDIKSI KELULUSAN MAHASISWA

No	Tanggal	Uraian Pembimbingan	Paraf Dosen
1	18 Maret 2024	Pembuatan Judul dan BAB 1 (latar-belakang)	
2	21 Maret 2024	Pengecekan dan Perbaikan susunan kata serta Penambahan referensi di latar b	
3	25 Maret 2024	Pengecekan dan Perbaikan pada sub bab rumusan masalah, tujuan dan manfaat	
4	28 Maret 2024	Pengecekan dan Penambahan sub bab di Bab 2	
5	1 April 2024	Penambahan referensi di Bab 1 dan Bab 2	
6	8 April 2024	Melanjutkan Bab 3 dan Pengetasan	
7	15 April 2024	Penambahan referensi di Bab 2, dan revisi Penulisan kalimat pada Pengumpulan data	
8	29 April 2024	Eksperimen pada data menggunakan Rapid Mylar	
9	6 Mei 2024	Percobaan Memasukan K-NN pada data	
10	16 Mei 2024	Menghitung akurasi pada Permodelan dan menerapkannya ke Prediksi 2020	

Dosen Pembimbing



Rofilde Hasudungan, S.Kom., M.Sc.

NIDN. 1107048601

Mengetahui  
Ketua Program Studi



Arbansyah, S.Kom., M.TI  
NIDN. 1118019203

### Lampiran 3. Data Yudisium angkatan 2017 -2019

#### 1. 2017

YUDISIUM TOTAL			TANGGAL
NIM MAHASISWA	NAMA MAHASISWA	STATUS	
17111024410011	MUHAMMAD ADAM	TERLAMBAT	10 AGUSTUS 2023
17111024410021	YUSUF ARQAM NURKARIM		
17111024410001	ABDUL BASIR SALSABILA	Tepat Waktu	26 Juli 2021
17111024410002	AGUS SASWONO		
17111024410003	ANDI DEVINA SAFIRA YASIN		
17111024410007	HIDAYATULLAH		
17111024410009	MALIK FAJAR		
17111024410012	MUHAMMAD ANSYORI		
17111024410014	MUHAMMAD SANDHYANUR		
17111024410016	NORMIATUL ILMIAH		

#### 2. 2018

1811102441006	AGUSTYA NANDA PRATIWI	Tepat Waktu	9 AGUSTUS 2022
1811102441008	ALDI WIKRAWARDANA		
1811102441013	ANTON SAPUTRA		
1811102441015	ASNUR KARIMA		
1811102441017	ASTI KURNIARIZQI		
1811102441018	ASWINNI NUR PRAMESWARI		
1811102441024	DENY HERAWATI		
1811102441025	DESI IRMAYANTI		
1811102441026	DIANA MUSTIKA MISBAH SHOLEHA ALFASRI		
1811102441027	DIMAS AYIKA PUTRA KELANA		
1811102441028	DIO SETIYAWAN		
1811102441030	DWI FITRI MILIANI		
1811102441031	DWI NATA LARASATI		
1811102441032	EGI JATI RAMADHAN		
1811102441035	FARIS MALIK AL ABDILLAH		
1811102441038	GHOEUR FIRDAUS		
1811102441039	HARY SUBEKTI		
1811102441041	HILLI SAFUAN ALIYANTO		
1811102441042	ILHAM QASTHALANI		
1811102441045	IPNU ADI		
1811102441047	JUNIANDA HARIS DWIAGAM		
1811102441048	KADAR		
1811102441051	M.FAHRI AL SYA'BA		
1811102441055	MOHAMMAD FIKRI ABDILLAH		
1811102441057	MUHAMMAD ALDI AL GIFARI		
1811102441058	MUHAMMAD AZHAR RIYANDI		
1811102441060	MUHAMMAD FIRGIWAN GILANG PRATAMA		
1811102441061	MUHAMMAD IQBAL WAHYU PERDANA		
1811102441064	MUHAMMAD NORHALIMI		
1811102441067	MUHAMMAD RHOSYID AKHMAD		
1811102441068	MUHAMMAD RIADHUS SHOLIHIN		
1811102441070	MUHAMMAD TAUFIK VIRGIWAN		
1811102441071	MUSDAYANTI		
1811102441074	NOVITA SARI		
1811102441075	NUR AINI OKTAVIA		
1811102441076	NURLINDA		
1811102441079	PUTRIANA NUR HIDAYAH		
1811102441084	RIYAN SATRIA		
1811102441085	RIZKY ASPIAH		
1811102441086	RIZKY DWIKI FAISAL RAMADHAN		
1811102441088	RUSDIANA ULFAH		
1811102441089	SAMSUDIN		
1811102441093	TANIA OKTAVIA		
1811102441094	TAUFIQURRAHMAN		
1811102441099	YENI KURNIAWATI		
1811102441100	YOGA PRIANTAMA		
1811102441106	AYU PUJIASTUTI		

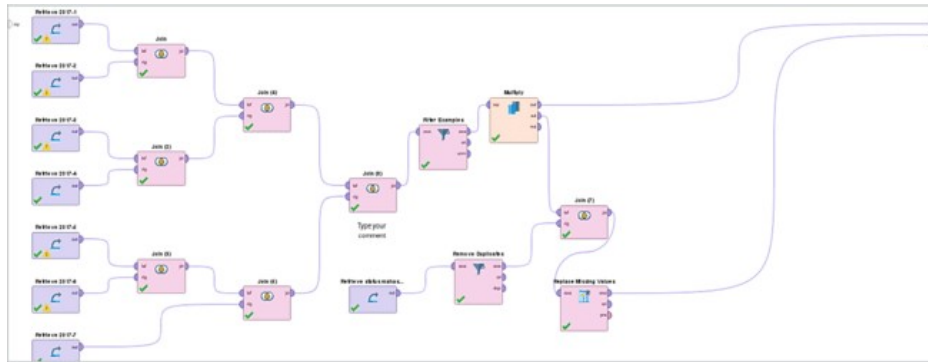
1811102441108	FARID MAJID DARMAJATI		
1811102441111	MUHAMMAD IQBAL SYAMWARDANA		
1811102441112	MUHAMMAD NURUL FADJRI		
1811102441113	MUHAMMAD RIZQI ILHAMI		
1811102441114	MUHAMMAD YUSRIL SWANDY A		
1811102441115	MUHAMMAD ZIDANE NUR		
1811102441117	RESKY RISJAYADI		
1811102441121	TRIJA WAHID IBRAHIM		
1811102441122	WILIAM ARYANDA		
1811102441005	AGUS FIRMANSYAH		
1811102441010	ANDHIKA PRATAMA	TERLAMBAT	9 FEBRUARI 2023
1811102441036	FAUZI RAHMAN		
1811102441049	KADEK CLARA MAHARANI		
1811102441091	SITI LAILATUS SOIMAH		
1811102441096	TRIANARA PUJO SEMEDI		
1811102441098	VERUCHA YULIANA SARY		
1811102441103	ADJI RIFKY MAULANA		
1811102441105	ARIF RAHMAN HAKIM		
1811102441116	RAINA IKA SHEVIRA AGUSTIN		
1811102441118	RICKY ARUN SAXENA		
1811102441124	ARIEF FIRMANULLAH	TERLAMBAT	10 AGUSTUS 2023
1811102441059	MUHAMMAD FEBRI MAULANA		
1811102441063	MUHAMMAD IRVAN RAMADANI		
1811102441065	MUHAMMAD RAFIFUDIN ISLAMI		
1811102441083	RISKI NOPIANSYAH		
1811102441097	VANNESA MAY ANITA		
1811102441110	MUHAMMAD FIRYAL HAWARI		

### 3. 2019

1911102441011	PUTRA SAYMEN				
1911102441015	REZA HABID				
1911102441022	RAHMAT RAMADHANI				
1911102441026	ARJUNA REYNALDY				
1911102441033	NABILA NURAINI				
1911102441035	AHMAD ILHAM				
1911102441062	PUTRI DEWI SANTIKA				
1911102441066	MOHAMAT ADIL SENTOSA				
1911102441070	KHAERUNNISA MARDIA TILLAH				
1911102441076	MUHAMMAD LUTHFI SETIAWAN				
1911102441077	ALDIANNUR				
1911102441079	MUHAMMAD ZULFIKAR AULIA NUGRAHA				
1911102441086	AKMAL SYAHRANDI				
1911102441087	ALI ZAINAL ABIDIN				
1911102441088	JULIA NUR CAHYANI				
1911102441089	SUCI MAWADDAH				
1911102441091	BINTANG FAJRUL PALLAH				
1911102441094	MUHAMMAD HIDAYATULLAH				
1911102441097	DINAMITA ROMADONI				
1911102441099	TRISHA NURHALISHA				
1911102441109	YUDA DARUSMAN			Tepat Waktu	10 AGUSTUS 2023
1911102441114	I NYOMAN PURNE WIJAYA				
1911102441115	RIRI RAHMADANI				
1911102441116	ENDAH AULIA NISAULATIFAH				

## Lampiran 4. Proses penggabungan dan preprocessing data

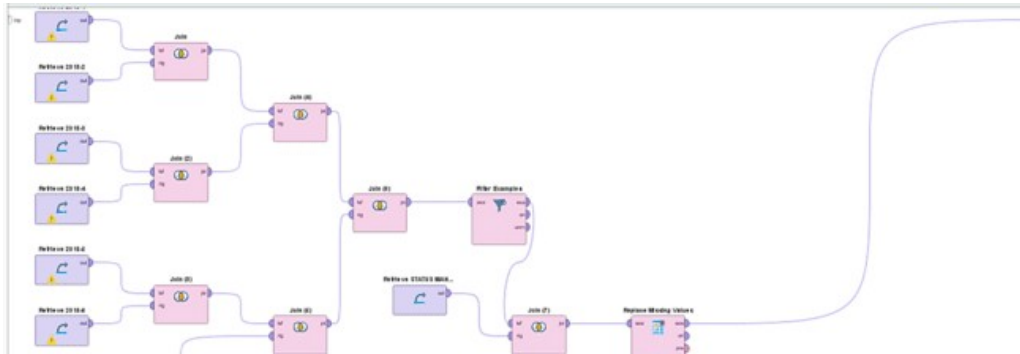
### 1. 2017



### Hasil

NO	NIM MAHASISWA	NAMA MAHASISWA	SKS 1	IPS 1	SKS 2	IPS 2	...	...	IPS 7	SKS 7	KELULUSAN
1	17111024410001	ABDUL BASIR SALSABILA	20	3,325	19	3,447	...	...	17	3,794	TEPAT
2	17111024410002	AGUS SASWONO	20	3,45	19	3,605	...	...	17	3,588	TEPAT
3	17111024410003	ANDI DEVINA SAFIRA YASIN	20	3,55	19	3,395	...	...	17	3,882	TEPAT
4	17111024410005	AWANG ASPIAN NUR	20	3,2	19	3,263	...	...	17	3,177	TERLAMBAT
5	17111024410007	HIDAYATULLAH	20	3,625	19	3,395	...	...	17	3,618	TEPAT
6	17111024410008	LA ANDE MAJRI	20	3,425	19	3,158	...	...	17	3,000	TERLAMBAT
7	17111024410009	MALIK FAJAR	20	3,45	19	3,237	...	...	17	3,588	TEPAT
8	17111024410011	MUHAMMAD ADAM	20	2,95	19	3,500	...	...	16	3,875	TERLAMBAT
9	17111024410012	MUHAMMAD ANSYORI	20	3,3	19	3,474	...	...	17	3,765	TEPAT
10	17111024410014	MUHAMMAD SANDHYANUR	20	3,275	19	3,658	...	...	17	3,588	TEPAT
11	17111024410016	NORMIATUL ILMIAH	20	3,375	19	3,816	...	...	17	3,882	TEPAT
12	17111024410021	YUSUF ARQAM NURKARIM	20	3,725	19	4,000	...	...	20	3,400	TERLAMBAT

### 2. 2018

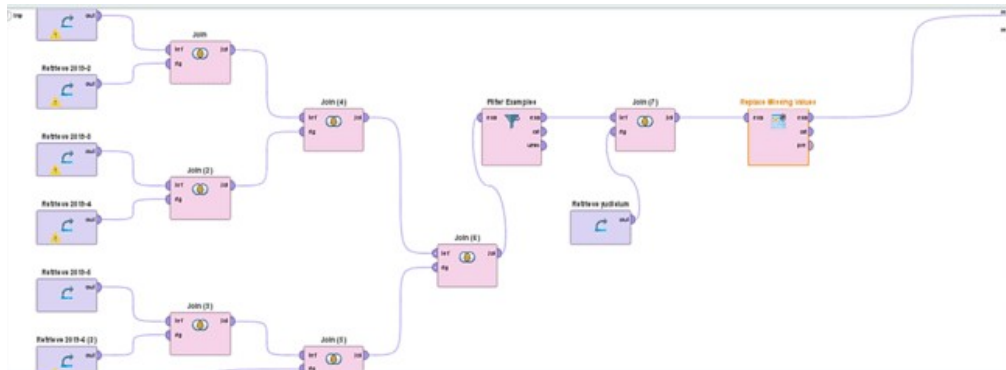


## Hasil

NO	NIM MAHASISWA	NAMA MAHASISWA	SKS 1	IPS 1	SKS 2	IPS 2	...	...	IPS 7	SKS 7	KELULUSAN
1	1811102441003	AFIFAH FIRANTI	20	3,3	19	2,8421	...	...	17	3	TERLAMBAT
2	1811102441005	AGUS FIRMANSYAH	20	2,95	19	3,2632	...	...	17	3,8824	TERLAMBAT
3	1811102441006	AGUSTYA NANDA PRATIWI	20	3,15	19	3,3684	...	...	17	3,9706	TEPAT
4	1811102441008	ALDI WIKRAWARDANA	20	3,025	19	3,3158	...	...	20	3,775	TEPAT
5	1811102441009	ALIF AKBARI LADAMBA	20	2,875	19	1,8421	...	...	18	2,1667	TERLAMBAT
6	1811102441010	ANDHIKA PRATAMA	20	3,175	19	3,3947	...	...	17	3,5882	TERLAMBAT
7	1811102441013	ANTON SAPUTRA	20	3,225	19	3,2632	...	...	17	4	TEPAT
8	1811102441014	ARI FAHRIAN SAPUTRA	20	3,025	19	3,0263	...	...	20	3,1	TERLAMBAT
9	1811102441015	ASNUR KARIMA	20	3,65	19	3,9474	...	...	17	4	TEPAT
10	1811102441017	ASTI KURNIARIZQI	20	3,4	19	3,1579	...	...	17	3,9118	TEPAT
11	1811102441018	ASWINNI NUR PRAMESWARI	20	3,4	19	3,4211	...	...	17	3,7647	TEPAT
12	1811102441019	AULIA RACHMAN	20	2,85	19	3,1842	...	...	17	3,9412	TERLAMBAT
13	1811102441021	DAFFA IRFAN ADITYA	20	3,025	19	3,2105	...	...	17	3,5588	TERLAMBAT
14	1811102441024	DENY HERAWATI	20	3,225	19	3,2632	...	...	18	3,5833	TEPAT
15	1811102441025	DESI IRMAYANTI	20	3,125	19	3,3947	...	...	17	3,9412	TEPAT
16	1811102441026	DIANA MUSTIKA MISBAH	20	3,5	19	3,1316	...	...	21	3,3333	TEPAT
17	1811102441027	DIMAS AYIKA PUTRA KELANA	20	3,3	19	3,2105	...	...	17	3,9412	TEPAT
18	1811102441028	DIO SETIYAWAN	20	3,825	19	3,3947	...	...	14	4	TEPAT
19	1811102441030	DWI FITRI MILIANI	20	3,25	19	3,1579	...	...	17	3,9706	TEPAT
20	1811102441031	DWI NATA LARASATI	20	3,6	19	3,3947	...	...	17	3,7941	TEPAT
21	1811102441032	EGI JATI RAMADHAN	20	3,375	19	3,6842	...	...	17	3,7941	TEPAT
22	1811102441033	ENRIKO CHIESA SIPAHUTAR	20	3,05	19	2,7368	...	...	20	2,775	TERLAMBAT
23	1811102441035	FARIS MALIK AL ABDILLAH	20	3,225	19	3,3947	...	...	19	3,7105	TEPAT
24	1811102441036	FAUZI RAHMAN	20	3,15	19	3,5789	...	...	17	3,3235	TERLAMBAT
25	1811102441038	GHOEUR FIRDAUS	20	3,375	19	3,7368	...	...	17	3,9706	TEPAT
26	1811102441039	HARY SUBEKTI	20	3,325	19	3,8421	...	...	17	3,9412	TEPAT
27	1811102441041	HILLI SAFUAN ALIYANTO	20	3,275	19	3,6316	...	...	17	3,8824	TEPAT
28	1811102441042	ILHAM QASTHALANI	20	3,2	19	3,3684	...	...	17	3,9412	TEPAT
29	1811102441043	INDERA	20	3,3	19	2,6053	...	...	17	2,2059	TERLAMBAT
30	1811102441045	IPNU ADI	20	3,45	19	3,7368	...	...	17	4	TEPAT
31	1811102441046	JUMADI	20	3,675	19	3,3421	...	...	17	3,9118	TERLAMBAT
32	1811102441047	JUNIANDA HARIS DWIAGAM	20	3,5	19	3,4737	...	...	17	3,9118	TEPAT
33	1811102441048	KADAR	20	2,85	19	3,0789	...	...	17	3,8529	TEPAT
34	1811102441049	KADEK CLARA MAHARANI	20	3,175	19	3	...	...	17	3,8824	TERLAMBAT
35	1811102441051	M.FAHRI AL SYA BA	20	2,95	19	3,3421	...	...	17	4	TEPAT
36	1811102441055	MOHAMMAD FIKRI ABDILLAH	20	3,65	19	3,6053	...	...	17	4	TEPAT
37	1811102441057	MUHAMMAD ALDI AL GIFARI	20	3,65	19	3,6053	...	...	17	3,7941	TEPAT
38	1811102441058	MUHAMMAD AZHAR RIYANDI	20	3,15	19	3,4211	...	...	17	3,9706	TEPAT
39	1811102441059	MUHAMMAD FEBRI MAULANA	20	3,175	19	3,8158	...	...	17	3,0588	TERLAMBAT
40	1811102441060	MUHAMMAD FIRGIAWAN GILA	20	2,95	19	3,2368	...	...	17	3,6765	TEPAT
41	1811102441061	MUHAMMAD IQBAL WAHYU PE	20	2,9	19	3,3421	...	...	17	3,9706	TEPAT
42	1811102441063	MUHAMMAD IRVAN RAMADAN	18	3	19	1,9211	...	...	21	3,0238	TERLAMBAT
43	1811102441064	MUHAMMAD NORHALIMI	20	3,3	19	3,2895	...	...	17	3,9118	TEPAT
44	1811102441065	MUHAMMAD RAFIFUDIN ISLAM	20	2,775	19	3,0263	...	...	17	3,5882	TERLAMBAT
45	1811102441067	MUHAMMAD RHOSYID AKHMA	20	3,375	19	3,5526	...	...	17	4	TEPAT
46	1811102441068	MUHAMMAD RIADHUS SHOLIH	20	2,975	19	3,3421	...	...	17	3,7941	TEPAT
47	1811102441069	MUHAMMAD SAIDI	20	3,3	19	3,2105	...	...	14	2,9643	TERLAMBAT
48	1811102441070	MUHAMMAD TAUFIK VIRGIAW.	20	3,425	19	3,4737	...	...	17	3,9118	TEPAT
49	1811102441071	MUSDAYANTI	20	3,075	19	3,1053	...	...	17	4	TEPAT
50	1811102441073	NAUFAL IQBAL FADHILA	20	2,75	19	3,4211	...	...	17	3,7353	TERLAMBAT
51	1811102441074	NOVITA SARI	20	3,1	19	3,1316	...	...	17	4	TEPAT
52	1811102441075	NUR AINI OKTAVIA	20	3,225	19	3,5526	...	...	17	3,9706	TEPAT
53	1811102441076	NURLINDA	20	2,975	19	3,0789	...	...	17	3,9412	TEPAT
54	1811102441078	PUTRI SRI NINGSIH	20	2,9	19	2,8421	...	...	17	2	TERLAMBAT
55	1811102441079	PUTRIANA NUR HIDAYAH	20	3,75	19	3,5526	...	...	17	3,8529	TEPAT
56	1811102441080	RACHMAD DANI	20	3,275	19	2,9737	...	...	17	3,1765	TERLAMBAT
57	1811102441082	REVVY FARRAS ARIEZA	20	2,825	19	3,1316	...	...	17	2,2941	TERLAMBAT
58	1811102441083	RISKI NOPIANSYAH	20	3,3	19	3,1053	...	...	17	2,6471	TERLAMBAT
59	1811102441084	RIYAN SATHIA	20	3,45	19	3,3684	...	...	17	3,7647	TEPAT
60	1811102441085	RIZKY ASPIAH	20	3,6	19	3,7895	...	...	17	4	TEPAT
61	1811102441086	RIZKY DWIKI FAISAL RAMADH	20	3,45	19	3,5526	...	...	17	3,6765	TEPAT

62	1811102441088	RUSDIANA ULFAH	20	3,1	19	3,3684	...	...	17	3,9706	TEPAT
63	1811102441089	SAMSUDIN	20	2,575	19	3,0789	...	...	17	3,7647	TEPAT
64	1811102441091	SITI LAILATUS SOIMAH	20	3,5	19	3,1316	...	...	17	3,8235	TERLAMBAT
65	1811102441092	SYAHRUL SETIANUR	20	3,525	19	3,1579	...	...	17	3,5294	TERLAMBAT
66	1811102441093	TANIA OKTAVIA	20	3,625	19	3,3947	...	...	17	3,9118	TEPAT
67	1811102441094	TAUFIQURRAHMAN	20	2,875	19	3,3684	...	...	17	4	TEPAT
68	1811102441095	TENRI AJENG	20	2,85	19	2,2105	...	...	17	3,5294	TERLAMBAT
69	1811102441096	TRANTARA PUJO SEMEDI	20	2,875	19	3,3158	...	...	17	3,9118	TERLAMBAT
70	1811102441097	VANNESA MAY ANITA	20	3,5	19	3,3947	...	...	17	2,4412	TERLAMBAT
71	1811102441098	VERUCHA YULIANA SARY	20	3,075	19	3,2632	...	...	17	3,8824	TERLAMBAT
72	1811102441099	YENI KURNIAWATI	20	3,3	19	3,2632	...	...	17	3,6471	TEPAT
73	1811102441100	YOGA PRIANTAMA	20	3,675	19	3,5526	...	...	17	3,9706	TEPAT
74	1811102441101	YOGA RAMADHAN	20	3,3	19	2,3684	...	...	18	3,3333	TERLAMBAT
75	1811102441103	ADJI RIFKY MAULANA	17	3,4706	21	3,3571	...	...	18	3,9167	TERLAMBAT
76	1811102441105	ARIF RAHMAN HAKIM	17	2,8529	21	3,2619	...	...	18	3,75	TERLAMBAT
77	1811102441106	AYU PUJIASTUTI	19	3,3684	21	3,3571	...	...	18	4	TEPAT
78	1811102441108	FARID MAJID DARMAJATI	19	3,7895	21	3,4524	...	...	18	4	TEPAT
79	1811102441110	MUHAMMAD FIRYAL HAWARI	17	3,5294	21	3,4524	...	...	18	3,8333	TERLAMBAT
80	1811102441111	MUHAMMAD IQBAL SYAMWAR	19	3,6316	21	3,8571	...	...	18	4	TEPAT
81	1811102441112	MUHAMMAD NURUL FADJRI	19	2,9211	21	3,4048	...	...	18	4	TEPAT
82	1811102441113	MUHAMMAD RIZQI ILHAMI	19	3,4211	21	3,2857	...	...	18	3,9167	TEPAT
83	1811102441114	MUHAMMAD YUSRIL SWANDY	19	3,0263	21	3,3095	...	...	18	4	TEPAT
84	1811102441115	MUHAMMAD ZIDANE NUR	19	3,8947	21	3,7619	...	...	18	4	TEPAT
85	1811102441116	RAINA IKA SHEVIRA AGUSTIN	19	3,5263	21	3,3333	...	...	18	3,75	TERLAMBAT
86	1811102441117	RESKY RISJAYADI	19	3,1842	21	3,3571	...	...	18	4	TEPAT
87	1811102441118	RICKY ARUN SAXENA	19	3,7368	21	3,8095	...	...	18	3,9167	TERLAMBAT
88	1811102441121	TRIJA WAHID IBRAHIM	19	3,8158	21	3,8095	...	...	18	4	TEPAT
89	1811102441122	WILIAM ARYANDA	19	3,6053	21	3,9048	...	...	18	4	TEPAT
90	1811102441124	ARIEF FIRMANULLAH	19	3,3158	21	3,4524	...	...	18	3,9167	TERLAMBAT

### 3. 2019



### Hasil

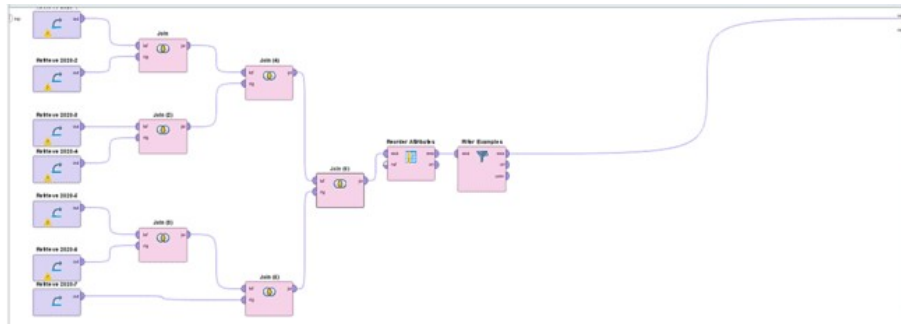
NO	NIM MAHASISWA	NAMA MAHASISWA	SKS 1	IPS 1	SKS 2	IPS 2	...	...	IPS 7	SKS 7	KELULUSAN
1	1911102441002	FATURRAHMAN	20	3,575	19	3,8158	...	...	17	3,5588	TERLAMBAT
2	1911102441003	INDRIAN	20	3,775	19	4	...	...	14	3,4643	TERLAMBAT
3	1911102441004	MUHAMMAD SAPUTRA	20	3,4	19	3,9737	...	...	14	3,5357	TERLAMBAT
4	1911102441006	MUHAMMAD PAHNAL ADITIA	20	3,7	19	3,9474	...	...	14	3,5714	TERLAMBAT
5	1911102441008	MUHAMMAD RIZAL NUR APF	20	3,15	19	3,2105	...	...	23	3,2391	TERLAMBAT
6	1911102441011	PUTRA SAYMEN	20	3,625	19	4	...	...	14	3,4643	TEPAT
7	1911102441013	MUH. IQBAL. K	20	3	19	2,5	...	...	22	3,3182	TERLAMBAT
8	1911102441015	REZA HABID	20	3,7	19	3,8684	...	...	13	3,5385	TEPAT
9	1911102441018	MUHAMMAD IJAI	20	3,175	19	3,8158	...	...	17	3,7353	TERLAMBAT
10	1911102441019	AMELDA AUNIYAH	20	3,025	19	3,9474	...	...	14	3,5714	TERLAMBAT
11	1911102441020	MUHAMMAD FAKHRI BAIHAC	20	3,2	19	3,7368	...	...	17	3,6471	TERLAMBAT
12	1911102441022	RAHMAT RAMADHANI	20	3,625	19	4	...	...	14	3,75	TEPAT
13	1911102441026	ARJUNA REYNALDY	20	3,4	19	3,9211	...	...	16	3,7813	TEPAT
14	1911102441028	MUHAMMAD ZIDANE DHARMA	20	3,65	19	3,6316	...	...	19	3,2895	TERLAMBAT
15	1911102441029	MUHAMMAD REZA	17	2,882	21	3,4048	...	...	20	3,375	TERLAMBAT
16	1911102441030	DIFHA PRAYUDHA	20	3,375	19	2,7368	...	...	19	3,2105	TERLAMBAT
17	1911102441031	SIDIQ INDRAJATI YUSUF	20	3,7	19	3,9211	...	...	11	3,1818	TERLAMBAT
18	1911102441033	NABILA NURAINI	20	3,65	19	3,8684	...	...	17	4	TEPAT
19	1911102441035	AHMAD ILHAM	20	3,925	19	3,9474	...	...	11	4	TEPAT

20	1911102441037	SURI FIRDAYANTI	20	2,15	19	3,0789	...	...	22	2,2727	TERLAMBAT
21	1911102441039	PANDU SATRIO WICAKSONG	20	1,95	19	3,5	...	...	18	3,1389	TERLAMBAT
22	1911102441040	RAHMA DHANI FITRIA WATI	20	3,175	19	3,5789	...	...	19	3,9211	TERLAMBAT
23	1911102441041	EMA RUSMA WATI	20	3,275	19	3,7632	...	...	17	3,8824	TERLAMBAT
24	1911102441042	EDWIN SAID PEBRI WARDANI	20	3,2	19	2,5263	...	...	19	2,0789	TERLAMBAT
25	1911102441043	REZA FAHROZI	20	3,35	19	3,7895	...	...	17	3,7059	TERLAMBAT
26	1911102441048	AHMAD FAJRIN	20	3,5	19	3,0789	...	...	17	3,8529	TERLAMBAT
27	1911102441053	SHOBRI ZAINUL FURQON	20	3,225	19	3,7632	...	...	17	3,6471	TERLAMBAT
28	1911102441054	MUHAMMAD NOR FIQRI	20	3,375	19	3,9474	...	...	11	3,5909	TERLAMBAT
29	1911102441059	MUHAMMAD RASYID RIDHO	20	3,675	19	3,8421	...	...	17	3,8529	TERLAMBAT
30	1911102441060	TIARA RAMANDANI	20	2,15	19	2,7632	...	...	18	1,4722	TERLAMBAT
31	1911102441061	MARINDA RAMA SAPTIAN	17	3,118	19	1,9737	...	...	26	2,1731	TERLAMBAT
32	1911102441062	PUTRI DEWI SANTIKA	20	3,875	19	4	...	...	8	4	TEPAT
33	1911102441065	MUHAMMAD IKRAM	20	3,525	19	3,1579	...	...	22	3,4545	TERLAMBAT
34	1911102441066	MOHAMAT ADIL SENTOSA	20	3,1	19	3,8421	...	...	20	3,475	TEPAT
35	1911102441069	FERRY YUDHISTIRA SINGGI	20	3,4	19	3,4737	...	...	18	1,5556	TERLAMBAT
36	1911102441070	KHAERUNNISA MARDA TILLAH	20	3,425	19	3,8684	...	...	14	3,7857	TEPAT
37	1911102441071	MUHAMMAD MAULANA	20	3,35	19	3,3684	...	...	19	3,1053	TERLAMBAT
38	1911102441072	RAHMAWATI	20	3,225	19	3,9474	...	...	17	1,5294	TERLAMBAT
39	1911102441074	ZAKARIA IHZA AKBAR	19	2,711	21	3,5714	...	...	22	3,3182	TERLAMBAT
40	1911102441076	MUHAMMAD LUTHFI SETIAWAN	20	3,5	19	3,9211	...	...	17	3,6176	TEPAT
41	1911102441077	ALDIANNUR	20	3,425	19	3,8684	...	...	16	3,8125	TEPAT
42	1911102441079	MUHAMMAD ZULFIKAR AULI	20	3,475	19	3,8684	...	...	23	3,3478	TEPAT
43	1911102441084	MUTTIYA KARTIKA AMELIA	20	3,425	19	3,8421	...	...	17	3,1765	TERLAMBAT
44	1911102441086	AKMAL SYAHRANDI	19	3,29	21	3,8571	...	...	18	3,9167	TEPAT
45	1911102441087	ALI ZAINAL ABIDIN	20	3,25	19	3,8421	...	...	19	3,8158	TEPAT
46	1911102441088	JULIA NUR CAHYANI	19	3,658	21	3,0952	...	...	18	3,8333	TEPAT
47	1911102441089	SUCI MAWADDAH	20	3,45	19	3,9474	...	...	14	3,5714	TEPAT
48	1911102441091	BINTANG FAJRUL PALLAH	20	3,575	19	3,8947	...	...	16	3,8125	TEPAT
49	1911102441093	TARISIA ALAWIYAH	20	3,275	19	3,7368	...	...	22	3,3409	TERLAMBAT
50	1911102441094	MUHAMMAD HIDAYATULLAH	20	3,675	19	3,8947	...	...	11	3,9091	TEPAT
51	1911102441097	DINAMITA ROMADONI	20	3,575	19	3,9737	...	...	14	3,75	TEPAT
52	1911102441099	TRISHA NURHALISHA	20	3,55	19	3,9474	...	...	14	3,7857	TEPAT
53	1911102441101	MUHAMMAD NAUFAL 'ARIIQ	20	2,9	19	3,5263	...	...	11	1,3182	TERLAMBAT
54	1911102441104	FITRIA NUR YAQIN	20	3,375	19	3,8684	...	...	19	3,7632	TERLAMBAT
55	1911102441105	WINDA AMELIA PRATIWI	20	3,925	19	3,9474	...	...	14	3,8571	TERLAMBAT
56	1911102441107	MUHAMMAD RAMANI ELHAM	20	1,75	19	1,7105	...	...	17	1,6176	TERLAMBAT
57	1911102441109	YUDA DARUSMAN	20	3,05	19	3,6053	...	...	19	3,7632	TEPAT
58	1911102441111	NADIA REGITA NANDAREST	20	2,775	19	3,5263	...	...	23	2,7826	TERLAMBAT
59	1911102441112	NADHIYA SAFIRA ARRAGMA	20	3,325	19	3,8421	...	...	17	3,7941	TERLAMBAT
60	1911102441113	ERVIN PRANANTA NUGRAHA	20	3,45	19	3,5789	...	...	22	3,5909	TERLAMBAT
61	1911102441114	NI YOMAN PURNE WIJAYA	20	3,525	19	3,9211	...	...	22	3,5682	TEPAT
62	1911102441115	RIRI RAHMADANI	20	3,8	19	3,8947	...	...	17	3,9118	TEPAT
63	1911102441116	ENDAH AULIA NISLAULATIFAH	20	3,675	19	4	...	...	14	4	TEPAT
64	1911102441117	YULIANA DILLA EVITASARI	20	3,675	19	3,9474	...	...	14	3,6429	TEPAT
65	1911102441118	KHAIRUL GUNAWAN	20	3,425	19	3,8158	...	...	20	3,625	TERLAMBAT
66	1911102441119	RANDY SATRIO UTOMO	20	3,85	19	3,8684	...	...	14	3,6786	TEPAT
67	1911102441124	KAMIRUL HAKIM	20	3,35	19	3,8421	...	...	16	3,375	TEPAT
68	1911102441125	AQILLA FADIA. S.	20	3,65	19	3,8158	...	...	8	4	TEPAT
69	1911102441126	AHMAD HAYKAL ALGHIFARI	19	3	21	2,6905	...	...	20	3,4	TERLAMBAT
70	1911102441128	SEPTIA INTAN PERMATA SA	20	3,5	19	4	...	...	14	3,75	TEPAT
71	1911102441129	AZAHRA RISKY PUTRI	19	3,5	21	3,0952	...	...	15	3,1	TERLAMBAT
72	1911102441130	MUHAMMAD SHIDIQ ZHAFRAN	20	3,45	19	3,8158	...	...	17	3,5	TERLAMBAT
73	1911102441131	MUHAMMAD DICKI PEBRIAN	20	3,625	19	3,4211	...	...	22	2,6818	TERLAMBAT
74	1911102441132	MUHAMAD AJI ROMADHON	20	3,375	19	3,7895	...	...	17	3,2647	TERLAMBAT
75	1911102441133	TETRIES AGUSTINA RIZKAS	19	3,605	21	3,4524	...	...	15	3,9	TEPAT
76	1911102441134	FAJAR MAGDA	20	3,325	19	3,5	...	...	17	3,6471	TERLAMBAT
77	1911102441135	AHMAD RIYADI	20	3,425	19	3,8684	...	...	16	3,5313	TERLAMBAT
78	1911102441136	MUHAMMAD RIDHO HISYAM	20	3,4	19	3,8158	...	...	17	3,4706	TERLAMBAT
79	1911102441137	SETYO NING WASKITO	19	3,079	21	3,3095	...	...	18	3,75	TEPAT
80	1911102441139	AGUS MAULANA	20	3,175	19	3,6053	...	...	18	3,4167	TERLAMBAT
81	1911102441140	DEWI REVI NURJANAH	20	3,925	19	3,7632	...	...	11	3,6818	TEPAT
82	1911102441142	RENI FAHRA	20	3,175	19	3,7632	...	...	17	3,8529	TEPAT



83	1911102441143	ACHMAD NUR ZAHIR S	19	3,921	21	4	...	...	15	4 TEPAT
84	1911102441144	AKHMAD MAULANA	20	2,975	19	3,7895	...	...	16	3,7813 TEPAT
85	1911102441145	ARIEF AL AKBAR	19	3,105	21	3,5	...	...	20	3,925 TERLAMBAT
86	1911102441146	SULHIJJA	20	3,25	19	3,5263	...	...	22	2,5909 TERLAMBAT
87	1911102441147	LINTANG AJI PANGESTU	20	3,425	19	3,8421	...	...	19	3,7895 TEPAT
88	1911102441148	GULIAFAJRIANTO	19	2,895	21	3,0714	...	...	18	1,6667 TERLAMBAT
89	1911102441149	MUHAMMAD FADLY FADHIL	20	2,85	19	3,6579	...	...	19	2,2632 TERLAMBAT
90	1911102441151	FADEL ZULVANDANUE	19	3,763	21	3,6905	...	...	15	4 TEPAT
91	1911102441152	ANDRE PRANANDA RUSADY	20	3,225	19	3,5789	...	...	19	3,5 TERLAMBAT
92	1911102441154	RINI ROSANTI	20	3,1	19	3,3684	...	...	16	3,4063 TERLAMBAT
93	1911102441155	ANUGRAH FIANSYAH	20	3,2	19	3,5789	...	...	17	3,3235 TERLAMBAT
94	1911102441159	TANWIRUL	19	3,658	21	4	...	...	21	4 TEPAT
95	1911102441160	DWIKI ADI DARMAWAN	20	3,175	19	3,3684	...	...	17	3,4118 TEPAT
96	1911102441161	REVIE DANIAL PRAMADYA	20	3,65	19	3,9211	...	...	17	3,5882 TEPAT
97	1911102441166	MUHAMMAD FATH THORIQ	20	3,575	19	3,9474	...	...	16	4 TEPAT
98	1911102441167	ADE SALWA	20	3,2	19	3,7368	...	...	14	3,5714 TEPAT
99	1911102441169	FADHLILLAH ADAM MAULAN	20	3,05	19	3,3684	...	...	16	3,2813 TERLAMBAT
100	1911102441170	RIZAL PRADANA	17	3,618	21	3,5	...	...	15	3,7 TERLAMBAT
101	1911102441172	MUHAMMAD RICHARD CHAF	20	3,15	19	3,7895	...	...	19	3,2895 TERLAMBAT
102	1911102441173	IMA SULISTIA NOPI WULAN	20	3,75	19	4	...	...	14	3,7857 TERLAMBAT
103	1911102441174	MUHAMMAD FAHRI ALFIANU	20	3,4	19	3,6842	...	...	19	3,2105 TERLAMBAT
104	1911102441177	SYAMSUL RIZAL JAUZI	20	3,6	19	3,8421	...	...	20	2,975 TERLAMBAT
105	1911102441178	NOVAL SAPUTRA	20	2,925	19	3,7105	...	...	20	2,75 TERLAMBAT
106	1911102441179	NUR AIDILLA SAFITRI	20	3,4	19	3,5789	...	...	17	3,7353 TERLAMBAT
107	1911102441180	HERLIYANA PUTRI	20	3,15	19	3,7368	...	...	17	3,7353 TERLAMBAT
108	1911102441181	ACHMAD SURIANSYAH	20	3,1	19	3,6316	...	...	20	3,55 TERLAMBAT
109	1911102441182	ADAM SANJAYA	20	3,4	19	3,5526	...	...	17	3,7353 TERLAMBAT
110	1911102441183	MOHAMMAD NURHADI	20	3,15	19	3,1842	...	...	22	3,3182 TERLAMBAT
111	1911102441186	ARIA HADI PRADANA	20	3,3	19	2,7368	...	...	22	3,4545 TERLAMBAT

#### 4. 2020



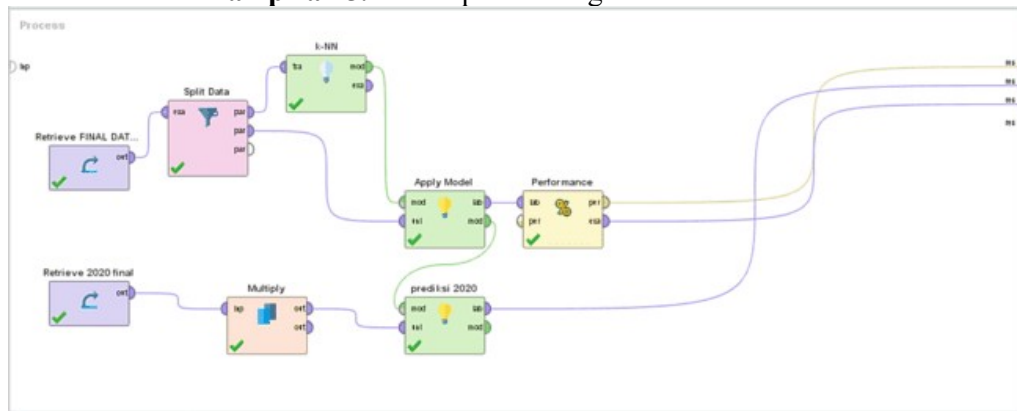
## Hasil

NO	NIM MAHASISWA	NAMA MAHASISWA	SKS 1	IPS 1	SKS 2	IPS 2	...	...	SKS 7	IPS 7
1	2011102441008	ANTON FEBRIANTO	20	2,975	19	2,8947	...	...	23	3,8696
2	2011102441009	BADRIYAH ANI KUSUMA PUTRI	20	2,975	19	2,8158	...	...	23	3,8043
3	2011102441012	MUHAMMAD RAHMAN HIDAYAT	20	3,675	19	2,9737	...	...	24	3,6667
4	2011102441013	RAFI RAHMADANI	20	3,325	19	3,8158	...	...	14	3,7857
5	2011102441014	MUHAMAD WAHYU TIRTA	20	3,925	19	4	...	...	11	4
6	2011102441015	HERY KURNIAWAN	20	3,7	19	3,8947	...	...	16	4
7	2011102441016	ARGI NUR FATURROHMAN	20	4	19	4	...	...	14	4
8	2011102441017	RICKY ALBIN PRANATA	20	3,675	19	3,6579	...	...	20	3,925
9	2011102441019	VITO JUNIVAN RIVALDO	20	4	19	4	...	...	16	4
10	2011102441020	AWANG HERJUNIE NURDY	20	3,55	19	3,9211	...	...	17	3,7353
11	2011102441023	AZWAR DAMARI	20	3,6	19	3,6053	...	...	19	3,8421
12	2011102441024	NUR ANJENI LESTARI	20	3,3	19	3,6579	...	...	14	3,8929
13	2011102441025	RIZKY ADHITYA PRATAMA	19	3,4211	23	3,3913	...	...	21	1,7857
14	2011102441026	RAMAYASIN GYMNASTIAR	20	3,425	19	3,4737	...	...	21	2,6667
15	2011102441027	RAJAWALI PUTRA SANG ADHA	20	2,025	19	1,6316	...	...	20	2,225
16	2011102441028	ENDAH RAHMAWATI	20	3,775	19	3,8947	...	...	14	3,3571
17	2011102441029	MOH. RISKI ABADI	20	3,7	19	3,9211	...	...	17	3,5294
18	2011102441032	WINDI SETIOWATI	20	3,425	19	3,3684	...	...	16	1,125
19	2011102441034	BAGUS FATHUR ROCHMAN	20	3,925	19	3,8158	...	...	14	3,6786
20	2011102441035	TRI WAHYUDI	20	3,8	19	3,6053	...	...	17	3,9118
21	2011102441036	IRQI ANBI FAHREZI	20	3,65	19	3,9211	...	...	16	3,9063
22	2011102441037	GINA MAULIDINA	20	3,85	19	3,8947	...	...	16	3,9063
23	2011102441038	ANDI NUR HALIM	20	3,75	19	3,8947	...	...	16	3,3125
24	2011102441040	RAENALD SYAPUTRA	20	4	19	4	...	...	14	4
25	2011102441041	RIFAT FAKHRIY NAUFAL	20	3,85	19	3,8158	...	...	17	3,4706
26	2011102441042	FAJRI HARITS MUZAKI	20	3,75	19	3,8158	...	...	14	4
27	2011102441047	ALVITO PRATAMA	20	2,525	19	2,1316	...	...	17	0
28	2011102441048	KHUSNUL KHOTIMAH	20	3,45	19	3,5263	...	...	11	4
29	2011102441049	RIRIN WAHYUNI	20	3,925	19	3,6842	...	...	16	3,3125
30	2011102441050	FAHREIZHA DWI CAHYO	19	3,5526	23	3,4565	...	...	18	3,3333
31	2011102441051	MUHAMMAD RIZKI MAULANA	20	3,725	19	3,9211	...	...	17	3,8235
32	2011102441052	ADITYA PRANATA	20	3,85	19	3,9211	...	...	19	4
33	2011102441053	MUHAMMAD FARHAT JUNDULLAH	20	3,85	19	3	...	...	19	3,4211
34	2011102441054	JONI SYAPUTRA	20	2,45	19	3,2895	...	...	22	3,6364
35	2011102441055	WAHYU ADIWINATA	20	3,775	19	3	...	...	23	3,6739
36	2011102441057	SITI NOR JANAH	20	3,775	19	3,1579	...	...	16	0,75
37	2011102441061	MUHAMMAD ZAINI IKHWAN	19	3,5	23	3,7391	...	...	18	4
38	2011102441063	AULIA KHOFIFAH SYAMSURI	20	3,65	19	3,7105	...	...	17	3,6471
39	2011102441064	MUKMINATUL MUNAWAROH	20	3,875	19	4	...	...	11	4
40	2011102441065	ASMAWI LUBIS	20	3,7	17	2,8947	...	...	22	2,7273
41	2011102441067	IBNU SABDANIANSYAH	20	3,925	19	3,7632	...	...	17	4
42	2011102441069	BOBLI	20	3,6	19	3,4211	...	...	17	3,8235
43	2011102441070	NURLITA	20	3,75	19	3,8684	...	...	20	3,85
44	2011102441071	INDRA RAMA ARDHANI	20	2,925	19	1,9211	...	...	20	1,125
45	2011102441072	IKHSAN NUTTAKWA TAKBIRATA	20	3,525	19	3,9211	...	...	19	3,7105
46	2011102441073	AJI ALI NUGRAHA	20	3,925	19	3,6316	...	...	17	3,2941
47	2011102441075	MUHAMMAD RAYHAN ELFANSYAH	20	3,7	19	4	...	...	17	3,8235
48	2011102441078	MUHAMMAD RIYAN ADAM	20	3,775	19	3,6053	...	...	16	3,5313
49	2011102441079	REZA ANDRIYANTI	19	3,658	23	3,6304	...	...	18	3,5833
50	2011102441080	RAIHAN NABIL	20	3,85	19	3,6842	...	...	20	3,925
51	2011102441083	ILHAM FIRANDA	20	3,25	19	3,3684	...	...	19	2,8684
52	2011102441084	IPAN HASMADI	20	3,775	18	3,5556	...	...	16	4
53	2011102441085	MUHAMMAD KHUMAIDI NURSARIF	20	4	19	3,7368	...	...	14	3,8929
54	2011102441087	MUHAMMAD RAMADHANI SAPUTRA	20	3,65	19	4	...	...	19	4
55	2011102441088	MUHAMMAD AZRIEL YAHYA	20	3,675	19	3,8158	...	...	17	3,9118
56	2011102441089	ANGGIQ KARISMA AJI RESTU	20	3,9	19	3,8947	...	...	14	3,7857
57	2011102441090	ARI AHMAD DHANI	20	4	19	4	...	...	14	4
58	2011102441091	EKA AGUNG PRAYOGA	20	3,7	19	3,6053	...	...	20	3,7
59	2011102441094	BULAN SUCI CAHAYAWATI	20	3,95	19	4	...	...	16	3,8125
60	2011102441095	ALIEF FAJAR GUMILANG	20	3,575	19	3,6316	...	...	17	4
61	2011102441096	KHOIRUL HUDA DWI PUTRA	20	3,75	19	3,7368	...	...	19	3,4211
62	2011102441097	FALDY ALFAREZA PAMBUDI	20	3,7	19	3,8421	...	...	20	3,925
63	2011102441098	RAHMAT PUTRA PIANI	20	3,575	19	2,5526	...	...	22	2,9318
64	2011102441099	RICKO CAESAR APRILLA TIAKA	20	3,95	19	3,8158	...	...	20	3,375

65	2011102441100	RICKY CAESAR APRILLA TIAKA	20	3,85	19	3,8158	...	...	17	3,2647
66	2011102441101	ARIF NUR RAHMAN	20	3,625	19	4	...	...	19	4
67	2011102441102	BIMA SATRIA	20	4	19	3,7105	...	...	16	3,4063
68	2011102441110	DIMAS ADHE PRASETYO	19	3,632	23	3,2174	...	...	18	3,5833
69	2011102441111	MUHAMMAD YOGA PRASETYA ILMU	20	2,925	19	3,5	...	...	20	2,875
70	2011102441112	DENI ISKANDAR	20	3,55	19	3,8158	...	...	16	3,7813
71	2011102441113	REYKA LUNA KARALO	20	4	19	3,8158	...	...	8	4
72	2011102441114	ROHIM NUR RAHMAN	20	3,9	19	3,6579	...	...	20	3,475
73	2011102441119	ARDA FAHMI ACHMAD	20	3,75	19	3,7105	...	...	17	3,8235
74	2011102441120	FAHRUL RAJILANSYAH	20	2,95	21	1,9524	...	...	17	1,0588
75	2011102441121	LIDYA SARI	20	3,95	19	3,8947	...	...	14	4
76	2011102441122	MELISA NUR AINI	20	3,75	19	3,8947	...	...	14	3,6786
77	2011102441124	MUHAMMAD FARIZ IJLAL RAFI	19	3,816	23	3,8043	...	...	15	4
78	2011102441125	VALENTINO ROBBY NURALIF	20	2,775	19	2,5263	...	...	16	0,375
79	2011102441126	AKBAR BINTANG WICAKSONO	20	4	19	3,8158	...	...	16	4
80	2011102441127	RENDY NURDIANSYAH	20	3,875	19	3,8158	...	...	16	3,8125
81	2011102441129	MUHAMMAD GUSTIANSYAH	20	3,325	19	3,8947	...	...	19	2,3684
82	2011102441132	PUPUT ALPRIA NINA	20	3,9	19	3,8947	...	...	14	3,7857
83	2011102441135	MUHAMMAD ADITYA PRATAMA	20	3,95	19	3,7632	...	...	16	4
84	2011102441136	MUHAMMAD REIFIN PERDANA	20	3,7	19	3,7105	...	...	19	3,6316
85	2011102441137	SHINTA SELFIA	20	3,675	19	3,2632	...	...	14	3,6786
86	2011102441140	SONIAH	20	3,85	19	3,6053	...	...	14	3,7857
87	2011102441141	MUHAMMAD ZAINUL IHSAN	20	3,4	19	3,4474	...	...	16	1,6875
88	2011102441142	THORIQ IKHWAN ALFAWAS	20	3,775	19	3,7368	...	...	14	4
89	2011102441144	TAKHTA PERLAWANAN PUTRA SINAW	20	3,7	19	3,7105	...	...	16	3,7188
90	2011102441145	AHMAD YOGA ADI SAPUTRA	20	2,825	19	3,4474	...	...	24	2,8333
91	2011102441147	FARHAN AKBAR	20	3,875	19	3,6842	...	...	11	3,4091
92	2011102441149	ADIA LESTARI	20	3,775	19	4	...	...	14	4
93	2011102441150	VANIA AGRIPINA	20	3,85	19	3,8421	...	...	17	1,1176
94	2011102441151	ARIF RAMADHANI	20	3,725	19	3,9211	...	...	14	3,8929
95	2011102441152	ILHAM TAUFIQ	20	4	19	3,7895	...	...	11	4
96	2011102441153	SITI MUAWWANAH	20	4	19	3,8947	...	...	16	3,7188
97	2011102441155	BOBI ZINAIDIN ZIDAN	20	3,625	19	3,8158	...	...	16	4
98	2011102441157	RIDWAN JUMRIADI	20	3,9	19	3,8158	...	...	14	2,5714
99	2011102441158	HIGHNESS MAILANI PUTRI	20	3,8	19	3,8684	...	...	14	4
100	2011102441159	AL JANATUL ULVIVIANI	20	3,275	19	3,7368	...	...	14	3,5714
101	2011102441160	RENY NOVITA SARI	20	3,75	19	3,7105	...	...	16	3,2188
102	2011102441161	NOVIA RAHMADANA	20	3,95	19	4	...	...	14	3,8929
103	2011102441162	VIONA AURO ISLAMIANDA	20	3,35	19	3,7895	...	...	20	3,8
104	2011102441163	FEBRI ANANDA CHAIRI	20	3,65	19	3,5526	...	...	13	2,9231
105	2011102441165	MANDA RELA ISTIANTOKO	20	3,475	19	3,6842	...	...	17	3,1765
106	2011102441166	AKMAL MUGNI FAWWAZRIN	20	3,775	19	3,7105	...	...	19	3,6316
107	2011102441167	AUDI BRIMA ANDARA	20	3,7	19	3,5263	...	...	14	0,9643
108	2011102441168	MUHAMMAD FAISHAL KAMIL	20	3,725	19	3,6053	...	...	22	2,7955
109	2011102441169	ACHMAD WISNU WIJAYANTO	20	3,575	19	3,6316	...	...	23	2,7609
110	2011102441170	MUHAMMAD DIFA ANANDA	19	3,79	23	3,3696	...	...	18	3,8333
111	2011102441171	NINDI DEA ADINDA	20	3,825	19	3,5	...	...	11	3,8636
112	2011102441172	SANDY ERLANSYAH	20	3,575	19	3,8421	...	...	14	3,25
113	2011102441174	MUHAMMAD DAFFA FAWWAZ WAJDI	19	3,342	23	3,2174	...	...	21	3,9286
114	2011102441177	SRI RAMADANI	20	3,95	19	3,9737	...	...	11	3,7273
115	2011102441178	AHMAD NUGRAHA POERNAMAWAN	20	3,875	19	3,5263	...	...	24	3,125
116	2011102441179	IBNU ABINUR RAMADHAN	19	3,632	23	3,4565	...	...	18	0,75
117	2011102441180	HAEQAL HAFIEDZ RAMADHAN	20	3,875	19	3,6842	...	...	22	2,9773
118	2011102441181	SEFTIANI NUR	20	3,875	19	3,6842	...	...	14	4
119	2011102441182	AURELIA NOVINTA TAUFIK	20	4	19	3,5	...	...	20	3,775
120	2011102441183	JORDIE FARIS ABQARI	19	3,737	23	3,6087	...	...	18	1,0833
121	2011102441184	MUHAMMAD HAFIZH ATTHORIQ	20	3,95	19	3,7632	...	...	17	3,5588
122	2011102441185	DERY DINATA	20	3,775	19	3,8947	...	...	16	3,8438
123	2011102441186	FERDI IWANDA	20	3,725	19	3,5	...	...	20	3,3
124	2011102441187	FEBRIAN NOR RAHMAN	20	3,95	19	3,8947	...	...	20	3,7

125	2011102441189	ELNI SARWATI	20	3,725	19	2,9737	...	...	14	1,2857
126	2011102441192	RAHMAT HIDAYAT	20	3,95	19	3,5263	...	...	17	3,5588
127	2011102441193	REHANDI BIMA SAPUTRA	20	3,125	19	3,2105	...	...	20	3,15
128	2011102441194	ACHMAD FARID	20	3,55	19	2,9211	...	...	23	3,7826
129	2011102441195	AZELINA ZAHRA RIADINI	20	3,95	19	3,9474	...	...	14	4
130	2011102441196	FAHREZA AGUNG FIRMANSYAH	20	3,525	19	2,6842	...	...	22	2,6818
131	2011102441198	LILIS SAGITA	20	3,95	19	3,7632	...	...	14	3,8929
132	2011102441199	SRI MAR'ATI SHOLIKHAH	20	3,95	19	3,9474	...	...	14	3,8929
133	2011102441201	INDRA PRADISTA	20	3,1	19	3,0526	...	...	17	3,1471
134	2011102441203	ACHMAD FANDHU RIFALDY	19	3,6316	23	3,6087	...	...	18	3,9167
135	2011102441204	DINI FAHRIZA SALSABILA	20	3,675	19	3,4737	...	...	11	3,5455
136	2011102441206	ZULKARNAEN	20	3,875	19	3,7632	...	...	17	3,6471
137	2011102441207	MUHAMMAD AL HUSAINI	20	3,5	19	2,7368	...	...	19	1,8947
138	2011102441208	ILHAM PRAYANA PUTRA	19	3,5	23	3,5435	...	...	18	0
139	2011102441209	JUNAID HELMI HAFIDZ	19	3,5263	23	3,2609	...	...	18	2,25
140	2011102441210	RITA YULFANI	20	3,725	19	4	...	...	14	3,6786
141	2011102441213	LUTHFI KURNIAWAN SAPUTRA	20	2,725	19	3,3947	...	...	19	2,8947
142	2011102441215	FALLEN NAJMI SYAWALI	19	3,6053	23	3,1522	...	...	18	3,3333
143	2011102441216	NAUFALDY DAFFA FATHURADAM	20	2,7	19	2,6053	...	...	22	2,6364
144	2011102441217	FAHRIZA RAMADHANI	20	3,2	19	3,0526	...	...	21	2,9048
145	2011102441218	DESY ANJARWATI	20	3,575	19	3,1579	...	...	14	1,1786
146	2011102441219	ANY SAWHERI GADING	20	3,8	19	4	...	...	8	4
147	2011102441224	MUHAMMAD RIFQI PRATAMA	20	3,875	19	3,6316	...	...	17	4
148	2011102441225	HADI HERIANSYAH	19	3,5789	23	3,5652	...	...	20	3,75
149	2011102441226	NURUL JARIAH	20	0,6	19	2,2895	...	...	22	1,7273
150	2011102441227	AISYA KARINA	19	3,7105	23	3,7391	...	...	15	3,6
151	2011102441228	PRAMUDYA NIZHAM HAFID PAMBUDI	19	3,2368	23	2,9565	...	...	18	3,8333
152	2011102441230	ADE TIARA SUSILAWATI	20	3,9	19	3,8947	...	...	20	3,85
153	2011102441231	ARIF RISWANTO	19	3,5	23	3,3261	...	...	18	3,8333
154	2011102441232	DIFA CHANDRA RIFQI	17	3,4412	23	3,0435	...	...	18	1,4167
155	2011102441233	NOVIA HIDAYATI RAMADHANI	20	3,7	19	3,8947	...	...	14	4
156	2011102441234	RAHMAD HIDAYAT	19	3,4474	23	3,413	...	...	18	3,3333
157	2011102441235	SITI PATIMAH	20	4	19	3,7632	...	...	22	3,7727
158	2011102441236	RILFA DINI	20	3,4	19	3,7105	...	...	16	3,2188
159	2011102441238	ABDUL AGIM PAKAYA	20	3,775	19	3,7105	...	...	17	3,5294
160	2011102441239	MUHAMMAD FITRIANNOR	20	3,925	19	3,5	...	...	17	2,7353
161	2011102441240	EMYZAR HAFLIDA TANJUNG	20	3,7	19	3,8158	...	...	11	4
162	2011102441241	RIDHA ANISA SOLDZU PARNGA	20	3,75	19	3,0263	...	...	22	3,4318
163	2011102441242	MUHAMMAD ABDILLAH NORJALI	19	3,5789	23	2,8696	...	...	15	2,8
164	2011102441245	MUHAMMAD FATHURRAHMAN	19	3,7105	23	3,6522	...	...	6	3,25
165	2011102441250	VICTOR BENIEL CHITIGA	19	3,8684	23	3,6087	...	...	18	0,8333

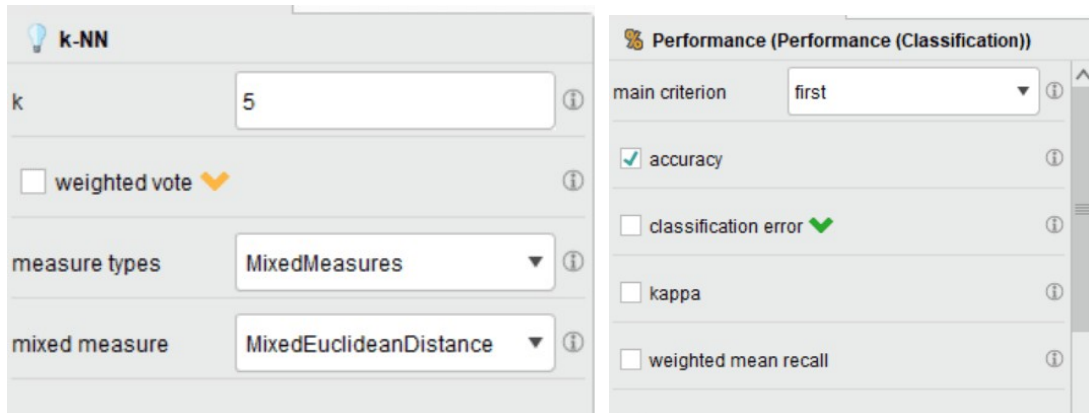
Lampiran 5. Model prediksi algoritma K-NN



ratio

0.75

0.25



### Lampiran 6 Data Training

NO	NIM	KELULUSAN	prediction(kelulusan)	SKS 1	IPS 1	SKS 2	IPS 2	SKS3	IPS 3	SKS 4	IPS 4	SKS 5	IPS 5	SKS 6	IPS 6	SKS 7	IPS 7
1	17111024410001	TEPAT	TEPAT	20.0	3325	19.0	34474	19.0	36316	20.0	3.5	18.0	31667	21.0	38571	17.0	37941
2	17111024410003	TEPAT	TEPAT	20.0	3.55	19.0	33947	19.0	36842	20.0	3625	18.0	38333	23.0	37174	17.0	38824
3	17111024410005	TERLAMBAT	TERLAMBAT	20.0	3.2	19.0	32632	19.0	3.0	20.0	3.05	18.0	3.0	20.0	3.1	17.0	31765
4	17111024410007	TEPAT	TEPAT	20.0	3625	19.0	33947	19.0	36842	20.0	3075	18.0	35833	23.0	36957	17.0	36176
5	17111024410008	TERLAMBAT	TERLAMBAT	20.0	3425	19.0	31579	19.0	32895	20.0	3.05	18.0	2.25	18.0	16111	17.0	3.0
6	17111024410009	TEPAT	TEPAT	20.0	3.45	19.0	32368	19.0	31842	20.0	3.5	18.0	3.5	23.0	38478	17.0	35882
7	17111024410012	TEPAT	TEPAT	20.0	3.3	19.0	34737	19.0	35263	20.0	3.75	18.0	33333	21.0	38571	17.0	37647
8	17111024410014	TEPAT	TEPAT	20.0	3275	19.0	36579	19.0	35263	20.0	3575	18.0	34167	21.0	37857	17.0	35882
9	17111024410016	TEPAT	TEPAT	20.0	3375	19.0	38158	19.0	37105	20.0	3.9	18.0	38333	23.0	4.0	17.0	38824
10	17111024410021	TERLAMBAT	TERLAMBAT	20.0	3725	19.0	4.0	19.0	33684	20.0	1.4	18.0	0.5	17.0	3.0	20.0	3.4
11	1811102441003	TERLAMBAT	TERLAMBAT	20.0	3.3	19.0	28421	19.0	28684	20.0	2825	18.0	33333	21.0	30714	17.0	3.0
12	1811102441005	TERLAMBAT	TERLAMBAT	20.0	2.95	19.0	32632	19.0	31316	20.0	3525	18.0	3.5	23.0	35652	17.0	38824
13	1811102441006	TEPAT	TEPAT	20.0	3.15	19.0	33684	19.0	31579	20.0	3625	18.0	36667	23.0	37826	17.0	39706
14	1811102441009	TERLAMBAT	TERLAMBAT	20.0	2875	19.0	18421	17.0	14118	18.0	26389	18.0	1.75	18.0	15833	18.0	21667
15	1811102441010	TERLAMBAT	TEPAT	20.0	3175	19.0	33947	22.0	31364	20.0	2.8	15.0	3.0	19.0	37368	17.0	35882
...	...	...	...	...	...	...	...	...	...	...	...	...	...	...	...	...	...
159	1911102441183	TERLAMBAT	TERLAMBAT	20.0	3.15	19.0	31842	19.0	25526	20.0	3025	21.0	20714	17.0	32059	22.0	33182
160	1911102441186	TERLAMBAT	TERLAMBAT	20.0	3.3	19.0	27368	19.0	28684	20.0	2825	19.0	28684	19.0	35263	22.0	34545

### Lampiran 7. Data Testing

NO	NIM	KELULUSAN	prediction(kelulusan)	SKS 1	IPS 1	SKS 2	IPS 2	SKS3	IPS 3	SKS 4	IPS 4	SKS 5	IPS 5	SKS 6	IPS 6	SKS 7	IPS 7
1	17111024410002	TEPAT	TERLAMBAT	20.0	3.45	19.0	36.053	19.0	3.5	20.0	3.3	18.0	3.5	23.0	3.587	17.0	35.882
2	17111024410011	TERLAMBAT	TEPAT	20.0	2.95	19.0	3.5	19.0	31.842	20.0	3.2	18.0	3.25	21.0	37.143	16.0	3.875
3	1811102441008	TEPAT	TERLAMBAT	20.0	3.025	19.0	33.158	19.0	31.579	20.0	2.975	18.0	28.333	19.0	33.947	20.0	3.775
4	1811102441017	TEPAT	TEPAT	20.0	3.4	19.0	31.579	22.0	29.545	20.0	3.075	15.0	3.2	21.0	3.881	17.0	39.118
5	1811102441019	TERLAMBAT	TEPAT	20.0	2.85	19.0	31.842	19.0	30.526	20.0	3.45	16.0	35.625	21.0	38.095	17.0	39.412
6	1811102441024	TEPAT	TEPAT	20.0	3.225	19.0	32.632	19.0	34.474	20.0	3.425	18.0	33.333	21.0	32.381	18.0	35.833
7	1811102441030	TEPAT	TEPAT	20.0	3.25	19.0	31.579	19.0	33.684	20.0	3.575	18.0	3.5	23.0	36.957	17.0	39.706
8	1811102441032	TEPAT	TERLAMBAT	20.0	3.375	19.0	36.842	19.0	37.632	23.0	35.652	18.0	3.5	20.0	3.675	17.0	37.941
9	1811102441036	TERLAMBAT	TERLAMBAT	20.0	3.15	19.0	35.789	19.0	34.211	20.0	3.325	18.0	2.75	18.0	3.5	17.0	33.235
10	1811102441039	TEPAT	TEPAT	20.0	3.325	19.0	38.421	22.0	36.591	20.0	3.525	15.0	3.5	21.0	39.286	17.0	39.412
11	1811102441041	TEPAT	TEPAT	20.0	3.275	19.0	36.316	19.0	33.947	20.0	3.475	18.0	30.833	21.0	3.619	17.0	38.824
12	1811102441060	TEPAT	TEPAT	20.0	2.95	19.0	32.368	19.0	33.684	20.0	3.5	18.0	35.833	23.0	37.391	17.0	36.765
13	1811102441063	TERLAMBAT	TERLAMBAT	18.0	3.0	19.0	19.211	17.0	25.588	18.0	33.611	18.0	20.833	18.0	30.833	21.0	30.238
14	1811102441067	TEPAT	TEPAT	20.0	3.375	19.0	35.526	22.0	3.5	23.0	4.0	15.0	4.0	20.0	4.0	17.0	4.0
15	1811102441068	TEPAT	TEPAT	20.0	2.975	19.0	33.421	19.0	32.895	20.0	3.8	18.0	35.833	23.0	37.826	17.0	37.941
16	1811102441071	TEPAT	TEPAT	20.0	3.075	19.0	31.053	19.0	33.684	20.0	3.5	18.0	34.167	21.0	37.381	17.0	4.0
17	1811102441073	TERLAMBAT	TEPAT	20.0	2.75	19.0	34.211	19.0	30.526	20.0	3.4	18.0	3.25	21.0	35.476	17.0	37.353
...	...	...	...	...	...	...	...	...	...	...	...	...	...	...	...	...	...
52	1911102441181	TERLAMBAT	TERLAMBAT	20.0	3.1	19.0	36.316	19.0	27.368	20.0	3.35	21.0	23.571	17.0	39.118	20.0	3.55
53	1911102441182	TERLAMBAT	TEPAT	20.0	3.4	19.0	35.526	19.0	33.158	20.0	3.45	18.0	3.5	23.0	39.348	17.0	37.353

### Lampiran 8. Akurasi klasifikasi K-NN

accuracy: 71.70%

	true TEPAT	true TERLAMBAT	class precision
pred. TEPAT	20	9	68.97%
pred. TERLAMBAT	6	18	75.00%
class recall	76.92%	66.67%	

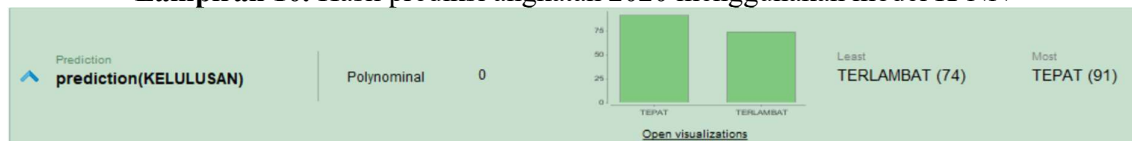
## Lampiran 9. Prediksi 2020

Row No.	NIM MAHASI...	prediction(K...	confidence(...	confidence(...	SKS 1	IP SEMESTE...	SKS 2	IP SEMESTE...	SKS 3	IP SEMESTE...	SKS
1	2011102441...	TERLAMBAT	0	1	20	2.975	19	2.895	19	3.211	22
2	2011102441...	TERLAMBAT	0	1	20	2.975	19	2.816	19	3.263	22
3	2011102441...	TERLAMBAT	0	1	20	3.675	19	2.974	19	2.342	18
4	2011102441...	TEPAT	1	0	20	3.325	19	3.816	21	3.571	20
5	2011102441...	TEPAT	0.800	0.200	20	3.925	19	4	22	3.727	20
6	2011102441...	TEPAT	0.800	0.200	20	3.700	19	3.895	19	3.842	20
7	2011102441...	TEPAT	1	0	20	4	19	4	19	4	20
8	2011102441...	TERLAMBAT	0.400	0.600	20	3.675	19	3.658	19	2.763	20
9	2011102441...	TEPAT	0.600	0.400	20	4	19	4	19	4	20
10	2011102441...	TEPAT	0.600	0.400	20	3.550	19	3.921	19	3.447	20
11	2011102441...	TERLAMBAT	0.400	0.600	20	3.600	19	3.605	21	3	20
12	2011102441...	TEPAT	0.800	0.200	20	3.300	19	3.658	19	2.816	20
25	2011102441...	TEPAT	0.800	0.200	20	3.850	19	3.816	19	3.263	20
26	2011102441...	TEPAT	0.800	0.200	20	3.750	19	3.816	19	3.605	20
27	2011102441...	TERLAMBAT	0	1	20	2.525	19	2.132	18	2.167	20
28	2011102441...	TEPAT	1	0	20	3.450	19	3.526	19	3.053	20
29	2011102441...	TEPAT	0.800	0.200	20	3.925	19	3.684	22	3.204	20
30	2011102441...	TEPAT	0.800	0.200	19	3.553	23	3.457	21	3.548	19
31	2011102441...	TEPAT	0.600	0.400	20	3.725	19	3.921	19	3.816	20
32	2011102441...	TEPAT	0.600	0.400	20	3.850	19	3.921	19	3.895	20
33	2011102441...	TERLAMBAT	0.200	0.800	20	3.850	19	3	19	2.342	17
34	2011102441...	TERLAMBAT	0.200	0.800	20	2.450	19	3.289	19	2.342	19
35	2011102441...	TERLAMBAT	0	1	20	3.775	19	3	17	2.342	19
36	2011102441...	TERLAMBAT	0	1	20	3.775	19	3.158	19	2.158	19
37	2011102441...	TEPAT	0.800	0.200	19	3.500	23	3.739	23	3.696	19
38	2011102441...	TERLAMBAT	0.400	0.600	20	3.650	19	3.711	22	2.682	20
39	2011102441...	TEPAT	1	0	20	3.875	19	4	19	3.947	20
40	2011102441...	TERLAMBAT	0.200	0.800	20	3.700	17	2.895	17	2.711	18
41	2011102441...	TEPAT	1	0	20	3.925	19	3.763	19	3.868	20
42	2011102441...	TEPAT	0.800	0.200	20	3.600	19	3.421	19	3.289	20
43	2011102441...	TERLAMBAT	0.200	0.800	20	3.750	19	3.868	19	2.974	20
44	2011102441...	TERLAMBAT	0	1	20	2.925	19	1.921	18	1.556	18
45	2011102441...	TERLAMBAT	0.400	0.600	20	3.525	19	3.921	19	3.447	20
46	2011102441...	TERLAMBAT	0.200	0.800	20	3.925	19	3.632	19	3.500	20
47	2011102441...	TEPAT	0.800	0.200	20	3.700	19	4	19	3.289	20
48	2011102441...	TEPAT	0.600	0.400	20	3.775	19	3.605	19	2.816	20
49	2011102441...	TEPAT	0.800	0.200	19	3.658	23	3.630	24	3.542	16
50	2011102441...	TERLAMBAT	0.200	0.800	20	3.850	19	3.684	19	2.816	20
51	2011102441...	TERLAMBAT	0.200	0.800	20	3.250	19	3.368	19	3.447	20
52	2011102441...	TEPAT	0.600	0.400	20	3.775	18	3.556	19	2.579	20
53	2011102441...	TEPAT	1	0	20	4	19	3.737	19	3.658	20
54	2011102441...	TEPAT	0.600	0.400	20	3.650	19	4	19	3.474	20
55	2011102441...	TERLAMBAT	0.400	0.600	20	3.675	19	3.816	19	2.974	20
56	2011102441...	TEPAT	1	0	20	3.900	19	3.895	19	3.789	20
57	2011102441...	TEPAT	1	0	20	4	19	4	19	4	20
58	2011102441...	TERLAMBAT	0.400	0.600	20	3.700	19	3.605	19	2.737	20
59	2011102441...	TEPAT	0.800	0.200	20	3.950	19	4	19	3.684	20
60	2011102441...	TEPAT	1	0	20	3.575	19	3.632	22	3.818	20

62	2011102441...	TERLAMBAT	0.400	0.600	20	3.700	19	3.842	19	3.211	20
63	2011102441...	TERLAMBAT	0.200	0.800	20	3.575	19	2.553	19	0.526	17
64	2011102441...	TERLAMBAT	0	1	20	3.950	19	3.816	17	2.471	18
65	2011102441...	TEPAT	0.600	0.400	20	3.850	19	3.816	17	2.184	18
66	2011102441...	TERLAMBAT	0.400	0.600	20	3.625	19	4	19	3.842	20
67	2011102441...	TERLAMBAT	0.400	0.600	20	4	19	3.711	19	3.684	20
68	2011102441...	TEPAT	0.600	0.400	19	3.632	23	3.217	21	3.333	16
69	2011102441...	TEPAT	0.800	0.200	20	2.925	19	3.500	19	2.105	17
70	2011102441...	TEPAT	0.600	0.400	20	3.550	19	3.816	19	3.579	20
71	2011102441...	TEPAT	0.800	0.200	20	4	19	3.816	22	3.886	23
72	2011102441...	TERLAMBAT	0.400	0.600	20	3.900	19	3.658	19	3.395	20
73	2011102441...	TERLAMBAT	0.400	0.600	20	3.750	19	3.711	19	2.947	20
74	2011102441...	TERLAMBAT	0	1	20	2.950	21	1.952	17	2.176	18
75	2011102441...	TEPAT	0.800	0.200	20	3.950	19	3.895	19	3.500	20
76	2011102441...	TEPAT	0.800	0.200	20	3.750	19	3.895	19	3.684	20
77	2011102441...	TEPAT	1	0	19	3.816	23	3.804	24	3.833	16
78	2011102441...	TERLAMBAT	0	1	20	2.775	19	2.526	19	1.395	18
79	2011102441...	TEPAT	0.600	0.400	20	4	19	3.816	19	3.605	20
80	2011102441...	TEPAT	0.600	0.400	20	3.875	19	3.816	19	3.474	20
81	2011102441...	TERLAMBAT	0	1	20	3.325	19	3.895	19	1.947	18
82	2011102441...	TEPAT	1	0	20	3.900	19	3.895	19	3.553	23
83	2011102441...	TEPAT	0.800	0.200	20	3.950	19	3.763	19	3.395	20
84	2011102441...	TEPAT	0.600	0.400	20	3.700	19	3.711	19	3.395	20
85	2011102441...	TEPAT	0.800	0.200	20	3.675	19	3.263	19	3.368	20
86	2011102441...	TEPAT	0.800	0.200	20	3.850	19	3.605	19	3.711	20
87	2011102441...	TERLAMBAT	0.400	0.600	20	3.400	19	3.447	19	2.921	20
88	2011102441...	TEPAT	0.800	0.200	20	3.775	19	3.737	19	3.368	20
89	2011102441...	TEPAT	0.600	0.400	20	3.700	19	3.711	19	3.316	20
90	2011102441...	TERLAMBAT	0	1	20	2.825	19	3.447	19	1.579	18
91	2011102441...	TEPAT	0.800	0.200	20	3.875	19	3.684	22	3.546	23
92	2011102441...	TEPAT	1	0	20	3.775	19	4	19	3.632	23
93	2011102441...	TERLAMBAT	0	1	20	3.850	19	3.842	19	2.868	20
94	2011102441...	TEPAT	1	0	20	3.725	19	3.921	19	3.974	23
95	2011102441...	TEPAT	0.800	0.200	20	4	19	3.789	22	3.682	23
96	2011102441...	TEPAT	0.600	0.400	20	4	19	3.895	19	3.526	20
97	2011102441...	TEPAT	0.800	0.200	20	3.625	19	3.816	22	3.636	20
98	2011102441...	TEPAT	0.800	0.200	20	3.900	19	3.816	19	3.763	23
99	2011102441...	TEPAT	0.800	0.200	20	3.800	19	3.868	19	3.316	21
100	2011102441...	TEPAT	0.800	0.200	20	3.275	19	3.737	21	2.667	20
101	2011102441...	TERLAMBAT	0.400	0.600	20	3.750	19	3.711	19	3.263	20
102	2011102441...	TEPAT	1	0	20	3.950	19	4	19	3.789	20
103	2011102441...	TERLAMBAT	0.200	0.800	20	3.350	19	3.789	20	3.050	20
104	2011102441...	TEPAT	0.600	0.400	20	3.650	19	3.553	22	3.432	20
105	2011102441...	TEPAT	0.800	0.200	20	3.475	19	3.684	19	3.289	20
106	2011102441...	TERLAMBAT	0.200	0.800	20	3.775	19	3.711	19	2.632	20
107	2011102441...	TERLAMBAT	0.400	0.600	20	3.700	19	3.526	19	2.447	18
108	2011102441...	TERLAMBAT	0	1	20	3.725	19	3.605	19	1.763	18
109	2011102441...	TERLAMBAT	0	1	20	3.575	19	3.632	19	2.026	17

110	2011102441...	TEPAT	0.600	0.400	19	3.789	23	3.370	21	3.619	16
111	2011102441...	TEPAT	0.800	0.200	20	3.825	19	3.500	22	3.750	23
112	2011102441...	TEPAT	0.600	0.400	20	3.575	19	3.842	22	2.864	20
113	2011102441...	TERLAMBAT	0.400	0.600	19	3.342	23	3.217	21	2.357	16
114	2011102441...	TEPAT	0.800	0.200	20	3.950	19	3.974	19	3.737	23
115	2011102441...	TERLAMBAT	0.200	0.800	20	3.875	19	3.526	19	0.553	17
116	2011102441...	TERLAMBAT	0.200	0.800	19	3.632	23	3.457	21	3.619	16
117	2011102441...	TERLAMBAT	0	1	20	3.875	19	3.684	19	2.947	20
118	2011102441...	TEPAT	1	0	20	3.875	19	3.684	19	3.816	23
119	2011102441...	TERLAMBAT	0.200	0.800	20	4	19	3.500	19	2.500	18
120	2011102441...	TERLAMBAT	0.400	0.600	19	3.737	23	3.609	21	2.714	16
121	2011102441...	TERLAMBAT	0.400	0.600	20	3.950	19	3.763	19	3.947	23
122	2011102441...	TEPAT	0.600	0.400	20	3.775	19	3.895	19	3.474	20
123	2011102441...	TERLAMBAT	0	1	20	3.725	19	3.500	19	2.079	17
124	2011102441...	TERLAMBAT	0.200	0.800	20	3.950	19	3.895	19	3.658	20
125	2011102441...	TERLAMBAT	0	1	20	3.725	19	2.974	19	1.868	18
126	2011102441...	TEPAT	0.600	0.400	20	3.950	19	3.526	19	3.842	23
127	2011102441...	TERLAMBAT	0.400	0.600	20	3.125	19	3.211	22	3.636	23
128	2011102441...	TERLAMBAT	0	1	20	3.550	19	2.921	19	1.710	18
129	2011102441...	TEPAT	1	0	20	3.950	19	3.947	19	3.868	20
130	2011102441...	TERLAMBAT	0	1	20	3.525	19	2.684	19	1	17
131	2011102441...	TEPAT	0.800	0.200	20	3.950	19	3.763	19	3.421	20
132	2011102441...	TEPAT	0.800	0.200	20	3.950	19	3.947	19	3.526	20
133	2011102441...	TERLAMBAT	0	1	20	3.100	19	3.053	19	0.105	18
134	2011102441...	TERLAMBAT	0.400	0.600	19	3.500	23	3.320	21	2.307	16
135	2011102441...	TERLAMBAT	0.400	0.600	19	3.500	23	3.320	21	2.307	16
136	2011102441...	TERLAMBAT	0.400	0.600	19	3.500	23	3.320	21	2.307	16
137	2011102441...	TERLAMBAT	0.400	0.600	19	3.500	23	3.320	21	2.307	16
138	2011102441...	TERLAMBAT	0.400	0.600	19	3.500	23	3.320	21	2.307	16
139	2011102441...	TERLAMBAT	0.400	0.600	19	3.500	23	3.320	21	2.307	16
140	2011102441...	TERLAMBAT	0.400	0.600	19	3.500	23	3.320	21	2.307	16
141	2011102441...	TERLAMBAT	0.400	0.600	19	3.500	23	3.320	21	2.307	16
142	2011102441...	TERLAMBAT	0.400	0.600	19	3.500	23	3.320	21	2.307	16
143	2011102441...	TERLAMBAT	0.400	0.600	19	3.500	23	3.320	21	2.307	16
144	2011102441...	TERLAMBAT	0.400	0.600	19	3.500	23	3.320	21	2.307	16
145	2011102441...	TERLAMBAT	0.400	0.600	19	3.500	23	3.320	21	2.307	16
146	2011102441...	TERLAMBAT	0.400	0.600	19	3.500	23	3.320	21	2.307	16
147	2011102441...	TERLAMBAT	0.400	0.600	19	3.500	23	3.320	21	2.307	16
148	2011102441...	TERLAMBAT	0.400	0.600	19	3.500	23	3.320	21	2.307	16
149	2011102441...	TERLAMBAT	0.400	0.600	19	3.500	23	3.320	21	2.307	16
150	2011102441...	TERLAMBAT	0.400	0.600	19	3.500	23	3.320	21	2.307	16
151	2011102441...	TERLAMBAT	0.400	0.600	19	3.500	23	3.320	21	2.307	16
152	2011102441...	TERLAMBAT	0.400	0.600	19	3.500	23	3.320	21	2.307	16
153	2011102441...	TERLAMBAT	0.400	0.600	19	3.500	23	3.320	21	2.307	16
154	2011102441...	TERLAMBAT	0.400	0.600	17	3.441	23	3.043	21	1.976	16
155	2011102441...	TEPAT	0.800	0.200	20	3.700	19	3.895	19	3.711	20
156	2011102441...	TERLAMBAT	0.400	0.600	19	3.447	23	3.413	21	3.548	16
157	2011102441...	TERLAMBAT	0.200	0.800	20	4	19	3.763	19	2.974	20
158	2011102441...	TERLAMBAT	0.400	0.600	20	3.400	19	3.711	22	3.432	20
159	2011102441...	TEPAT	0.600	0.400	20	3.775	19	3.711	19	3.474	20
160	2011102441...	TEPAT	0.600	0.400	20	3.925	19	3.500	19	3.237	20
161	2011102441...	TEPAT	1	0	20	3.700	19	3.816	19	3.895	23
162	2011102441...	TERLAMBAT	0	1	20	3.750	19	3.026	19	3.211	22
163	2011102441...	TERLAMBAT	0.400	0.600	19	3.579	23	2.870	18	1.639	16
164	2011102441...	TEPAT	0.600	0.400	19	3.711	23	3.652	24	3.833	24
165	2011102441...	TEPAT	0.600	0.400	19	3.868	23	3.609	21	3.452	16

### Lampiran 10. Hasil prediksi angkatan 2020 menggunakan model K-NN





# SKRIPSI AULIA KHOFIFAH SYAMSURI

by Teknik Informatika Universitas Muhammadiyah Kalimantan Timur



---

**Submission date:** 26-Jul-2024 08:52AM (UTC+0800)

**Submission ID:** 2422496798

**File name:** cek\_turnitin\_aulia\_-\_AULIA\_KHOFIFAH\_SYAMSURI.docx (234.1K)

**Word count:** 4442

**Character count:** 26880

---

# SKRIPSI AULIA KHOFIFAH SYAMSURI



## ORIGINALITY REPORT

<b>19%</b> SIMILARITY INDEX	<b>16%</b> INTERNET SOURCES	<b>10%</b> PUBLICATIONS	<b>5%</b> STUDENT PAPERS
--------------------------------	--------------------------------	----------------------------	-----------------------------

## PRIMARY SOURCES

<b>1</b>	<b>dspace.umkt.ac.id</b> Internet Source	<b>2%</b>
<b>2</b>	<b>smart.stmikplk.ac.id</b> Internet Source	<b>1%</b>
<b>3</b>	<b>lib.unnes.ac.id</b> Internet Source	<b>1%</b>
<b>4</b>	<b>repository.unmuhjember.ac.id</b> Internet Source	<b>1%</b>
<b>5</b>	<b>pdfcoffee.com</b> Internet Source	<b>1%</b>
<b>6</b>	<b>docplayer.info</b> Internet Source	<b>1%</b>
<b>7</b>	<b>Submitted to STT PLN</b> Student Paper	<b>1%</b>
<b>8</b>	<b>jutif.if.unsoed.ac.id</b> Internet Source	<b>&lt;1%</b>
<b>9</b>	<b>ejournal.itn.ac.id</b> Internet Source	<b>&lt;1%</b>

## RIWAYAT HIDUP



Aulia Khofifah Syamsuri, dilahirkan pada tanggal 5 Agustus 2003 di Berau, Kalimantan Timur. Penulis adalah anak kedua dari dua bersaudara dari pasangan Bapak Ir. H. Kujang M.Si dan Ibu Dra. Hj. Syamsuriati. Penulis memulai Pendidikan di TK ABA II Tanjung Redep selama 1 tahun dan lulus pada tahun 2008. Kemudian melanjutkan Pendidikan di SD 018 Tanjung Redep selama 6 tahun dan lulus pada tahun 2014. Penulis melanjutkan Pendidikan ke jenjang Sekolah Menengah Pertama di SMP Negeri 14 Berau selama 3 tahun dan lulus pada tahun 2017. Selanjutnya penulis melanjutkan Sekolah Menengah Atas di MAN 1 Berau selama 3 tahun dan lulus pada tahun 2020. Pada tahun yang sama, penulis mendaftar kuliah dan diterima di Universitas Muhammadiyah Kalimantan Timur, Jurusan Teknik Informatika.